



ELECTRIC CARS PL

Comercial Director

Joan Davi



www.carsev.eu



anniversary
2008
35
1973 aniversario



Founded in 1973

Headquarters in Viladecavalls (Barcelona)



www.carsev.eu

CIRCUTOR Values

- Develop a **close working relationship with Customers** solving issues related to Components and Solutions
- **Improve Products** working with Suppliers
- **Customers our most valuable Asset to care**
- **Invest in Future Technologies, Process and Product Innovations**
- International approach (Global and Local)
- Austerity
- **Teamwork**
- **Reinvestment of Profits**
- Audacity
- Integrity, openness and transparency (**trust**)

On ALL FIVE continents





Net Sales 2010: 160.000.000 €

Headcount: 850 employees

R & D : 50 employees

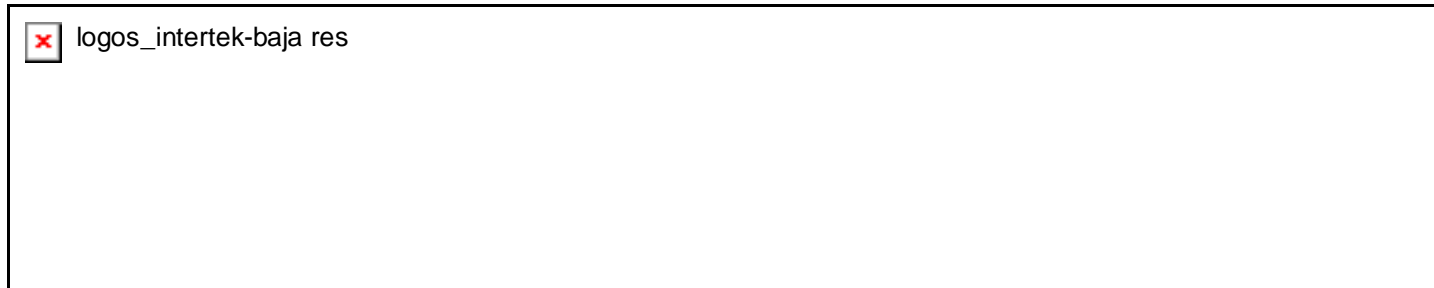
Net Sales in Exports: 48%

With presence in 108 Countries

4% R&D expenditures to Sales

Certificates

- ISO 9001:2000 Quality assurance
- ISO 14001:2004 Environment
- OHSAS 18001 Work Safety
- INTERTEK RSC MS (RoHS) Management of restricted substances
- QC 080000 Management of dangerous substance processes



From start to finish

Generation



Wind energy



Hydraulic energy



Solar energy

Distribution

Transmission and distribution of energy



Energy auditing

CIRCUTOR CIR^{e3} data logger and portable analyzers are essential tools to carry out electrical energy audits.

Applications



Industry



Buildings



Critical installations



Infrastructure

“Energy efficiency”

presentes en / present in...

GENERACIÓN
GENERATION

TRANSPORTE
TRANSPORTATION

DISTRIBUCIÓN
DISTRIBUTION of electrical energy



Intelligent Recharge of Electric Vehicles



- Outdoor Pillars (Safety and anti-fraud systems)
- Multipoint for Parkings
- Accessories (rechargeable cards units)



TERMINALE
ŁADOWANIA



TERMINALE
ŁADOWANIA



MULTIPOINT
SYSTEM



PROXIMITY CARD
RVE-CARD

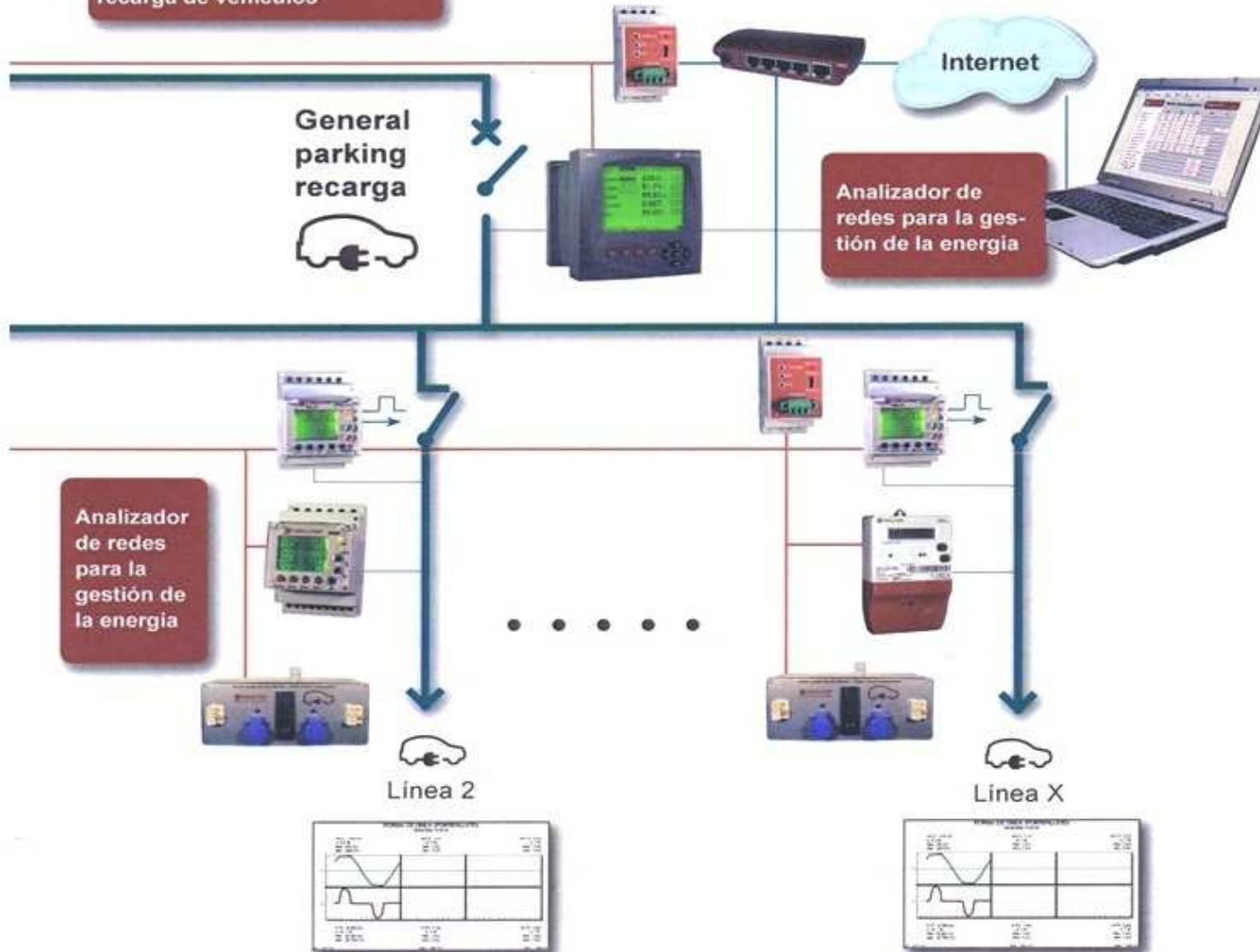




Filtro activo para la compensación de la corriente de neutro y los armónicos generados por la recarga de vehículos

Powerstudio

TERMINALE ŁADOWANIA



Billing transformers and accessories



Powerstudio

.circuitor.com SCADA

The screenshot shows the PowerStudio SCADA interface. On the left, there is a table with columns for 'Instantáneos' and 'Máximos'. Below it, a 'Voltage' section shows 'Fuente (V)' with values 229.5, 229.6, and 229.6. A browser window displays XML data for 'MAEN.V1', 'MAEN.V2', and 'MAEN.V3'. In the center, a Microsoft Excel spreadsheet shows a table with the following data:

DDE		
L1	L2	L3
229,5	229,6	229,6

The screenshot shows the PowerStudio SCADA interface with a 3D model of a building. The interface includes a navigation menu at the bottom with options: 'Substation', 'Office', 'Kitchen', 'Action Filter', 'Specifications', and 'Language'. A status bar at the bottom indicates 'El servidor está activo (172.90.00.100)' and 'SP_01_PRINCIPAL - PowerStudio Scale'.



References



www.carsev.eu

Airports

Capacitor banks, analogue, energy management



Hong – Kong airport, 300 measuring points



Dubai airport (UAE) switchgear



Airports of Hong – Kong, Paris, Madrid, Mallorca
Dubai, Barcelona, Brussels, Birmingham

Department Stores

El Corte Inglés (Spain)
Capacitor banks



El Corte Inglés Valencia



El Corte Inglés Barcelona



El Corte Inglés Vigo

* Shopping Mall Burj Dubai: 140 CVM-NRG ITF RS485 .
Dubai (UAE)

* Shopping Mall JEDDAH (Saudi Arabia)
300 measuring points: 300 MKT energy meters, 9 LM50
TCP

Car Factories – Static Capacitor Banks



TOYOTA



Mercedes-Benz

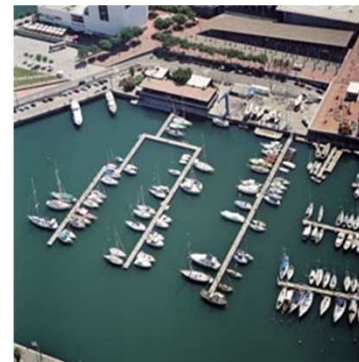


RENAULT

Michel Terry (France), Iran Kodro and Pars Kodro (Iran), Alliez Signal, Hyundai, Daewoo (Korea), Skoda and Volkswagen (Czech Republic).

Harbours

Royal Nautic Club of Barcelona: remote measuring points of energy and water consumption through PLC system



Lecturas multisuministro
Multi-supply readings



Luxury Hotels



Switchgear with CVM-K for Seven Star Hotel Burj-al-Arab. Dubai(U.A.E.)



Measuring points for Hotel Grand Hyatt Dubai (U.A.E.)



Burj Dubai Lake Hotel in Lake Towers complex
Top Luxury Hotel in Dubai (United Arab Emirates)



Global Energy Management: 660 measurement points with CEP96-NRG
+ 47 LM50 centraliser unit + POWER STUDIO SCADA software.

Sports Stadiums



Palau Sant Jordi (Barcelona)



Wenshan Stadium (China)

Hospitals



- Tuen Mun Hospital, Hong Kong
- Rehabilitation Block Extension
 - 128,000 m² public hospital
 - 1600 beds, 3000 staff
 - System of monitoring and filtering:
 - 102 CVMK2 – ITF – 405
 - 343 CVM NRG 96 - ITF – RS485
 - 5 units APF 4W - 400 - 66/90 active filter



Southampton Hospital (U.K.)
100 CVM-BD Network + Power
Studio Scada

Rabhoud Hospital (Holland)
Network of power analyzer CVMK-L-ITF

Buildings



Picasso Tower (Madrid)
Capacitor banks + 4 active filter APF



Empire State Building (New York)
IBM Building (Ireland)

- Burj Dubai resort:**
- * Burj Tower: the highest tower in the world under construction.
 - * Dubai shopping mall:
 - * Dubai Garden

Energy Management:
82 CVMK2 Power Analyzer +
355 CVM-NRG
Earth leakage protection, energy meters, capacitors, reactors.



Telecom Installations

- Capacitor banks
- Self reclosing systems
- Beacon control relay
- Measuring systems



Vodafone Ireland (Dublin)
CVM power analyzer network
+ power studio scada software



Spanish TV tower Torrespaña (Madrid)
Active filter

Universities

Universidad "Pablo Olavide" in Seville (II)

Total control of the installation in the Campus with 45 buildings and 14 hectares land. Approximately 10,000 people among students, professors, administration and services.

- Energy consumption control (electricity, water and gas)
- Installations maintenance monitoring
- Alarms performance by SMS, and automatic e-mails incidences
- Remote and automatic switch on/off of installation by maintenance service, security and front desks.
- Working tool for students

Number of devices	Type
2	Powerstudio Scada. V2.5
5	CBS-4
2	CVM-144
7	CVM-96
34	CVM-BD
5	CVM-BC
3	CVM-MINI
5	CVM-K
1	CVM-NRG96
56	CVM-R8 (D-C) + CVMR10C
6	Pulse centraliser LM24M
10	Ethernet converters
10	MK meters
4	Amplifiers RS485/RS485



Thank you very much for
your attention